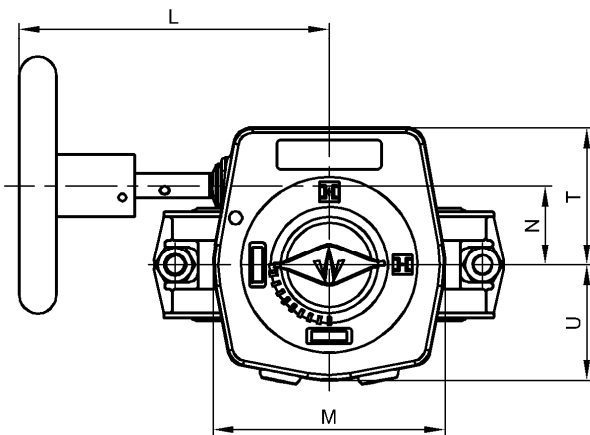
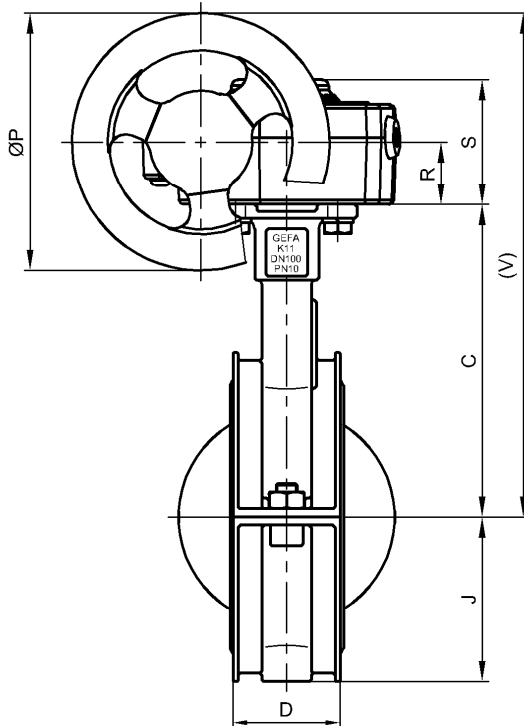
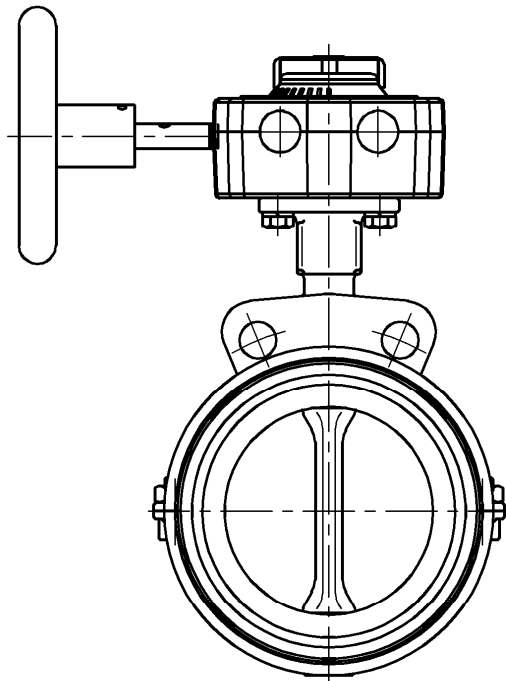


## Processklappe Serie K11 mit Aluminium Getriebe Butterfly valve series K11 with aluminium gear operator DN 50 - DN 150



Getriebewerkstoffe / Gear materials  
 Gehäuse / Body: Aluminium / aluminium  
 Welle / Stem: Stahl / steel  
 Handrad / Handwheel: Stahl / steel

Gewicht des Getriebes inklusive Handrad.  
 Klappenspezifische Daten entnehmen Sie bitte  
 den entsprechenden Datenblättern.

Weight of gear operator including handwheel.  
 Regarding valve data please refer to relevant  
 data sheets.

| DN  | NPS    | Getriebe Typ<br>Gear type | C   | D  | J   | L   | M   | N  | ØP  | R  | S  | T  | U  | V   | kg  |
|-----|--------|---------------------------|-----|----|-----|-----|-----|----|-----|----|----|----|----|-----|-----|
| 50  | 2"     | BGM98111V                 | 130 | 43 | 51  | 150 | 113 | 39 | 125 | 31 | 71 | 64 | 56 | 224 | 2,0 |
| 65  | 2 1/2" | BGM98111V                 | 145 | 46 | 58  | 150 | 113 | 39 | 125 | 31 | 71 | 64 | 56 | 239 | 2,0 |
| 80  | 3"     | BGM98111V                 | 160 | 46 | 68  | 150 | 113 | 39 | 125 | 31 | 71 | 64 | 56 | 254 | 2,0 |
| 100 | 4"     | BGM98114                  | 180 | 52 | 80  | 150 | 113 | 39 | 125 | 31 | 71 | 64 | 56 | 274 | 2,0 |
| 125 | 5"     | BGM98117                  | 195 | 56 | 95  | 187 | 113 | 39 | 200 | 31 | 71 | 64 | 56 | 326 | 2,5 |
| 150 | 6"     | BGM98117                  | 210 | 56 | 108 | 187 | 113 | 39 | 200 | 31 | 71 | 64 | 56 | 341 | 2,5 |